

- ENQUIRY  
 ORDER

**SLS Sassi Lift Systems**

5 Blackwell Drive  
Springwood Industrial Estate  
Braintree, Essex CM7 20J, UK  
Tel: 01376 550666  
Fax: 01376 341219  
Email: sales@sls-ltd.co.uk

Order no.:

Customer:

Delivery address:

Cust. order no:

Serial no.:

Comm. no.:

Processor:

Date:

Required date:

**PROGRESSIVE SAFETY GEAR SG**

Quantity:

**Braking downwards:**

SG1D-1

**Braking up-/downwards:**

SG2D-1 Variant 1

SG2D-1 Variant 2

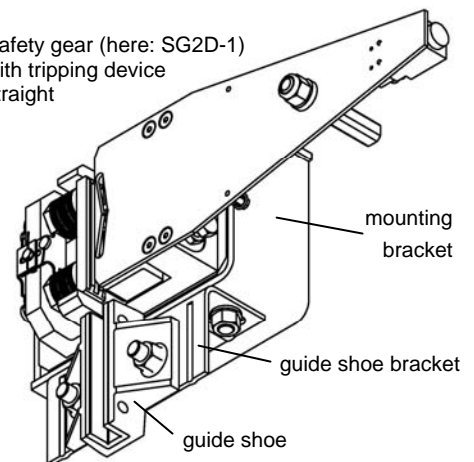
**Miscellaneous:**

Please specify additional components and special requests using the field „Miscellaneous“.

**1. Technical Data**

- Rated speed v: \_\_\_\_\_ m/s  
 Payload Q: \_\_\_\_\_ kg  
 Car weight P: \_\_\_\_\_ kg (incl. cabin weight)  
 Compens. rope weight CR: \_\_\_\_\_ kg  
 Mass counterweight CTW: \_\_\_\_\_ kg  
 Width of rail:  9mm  16mm  
 \_\_\_\_\_ mm (> 5mm and < 16mm)  
 Manufacture of rail:  machined  drawn  
 Surface of rail:  dry  oiled  
 Traverse  mounting at lower traverse  
 mounting at upper traverse  
 Position of rail  external  
 internal

Safety gear (here: SG2D-1) with tripping device straight



**2. Options and additional components**

- |  |  |   |
|--|--|---|
| <input type="checkbox"/> safety gear shaft straight depth gauge _____ mm | <input type="checkbox"/> tripping device straight  | <input type="checkbox"/> PU lubricator  |
| <input type="checkbox"/> 2 mounting brackets with mounting parts         | <input type="checkbox"/> tripping device cranked, standard   | <input type="checkbox"/> PU guide shoes (with mounting parts)                                 |
| <input type="checkbox"/> mounting parts                                  | <input type="checkbox"/> tripping device cranked, order-bound (please attach drawings or dimensions)   | <input type="checkbox"/> cable loop <input type="checkbox"/> 5 m <input type="checkbox"/> 8 m |
| <input type="checkbox"/> neutral position                                | <input type="checkbox"/> short plate   | <input type="checkbox"/> roller switch (with locking)   |
|  | <input type="checkbox"/> PU governor rope <input type="checkbox"/> 6.5 <input type="checkbox"/> 8.0 mm | <input type="checkbox"/> roller switch (without locking)                                      |
|  |  | <input type="checkbox"/> roller switch EX (without locking)                                   |