



SASSI LIFT SYSTEMS

Oil Buffer

Type: LSB 10

- *High impact mass range*
- *For restricted height applications*
- *Rated speed 1.0m/s*



234mm

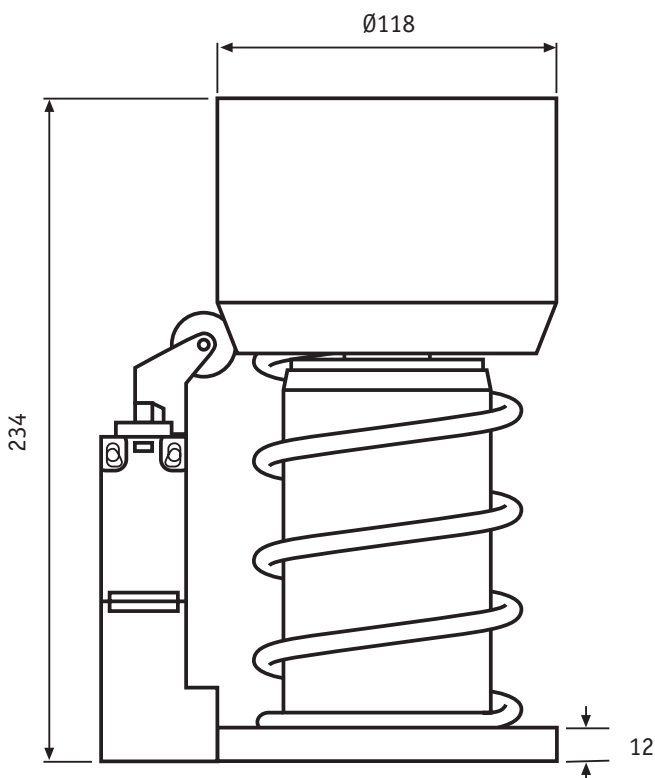
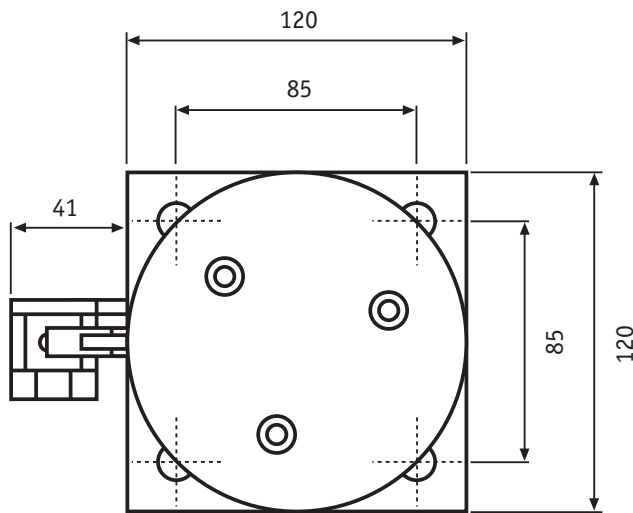
ELEVATOR

LSB 10

LSB 10 designed for low speed applications.
Approved to the requirements of EN81.1, ASME 17.1
and Lift Directive 95/16/EC. Approval no.BSI-LB-031

- Controlled deceleration
- Minimum height
- Sealed unit, maintenance free
- Supplied complete with oil

Hydraulic principle



High performance

Oleo LSB 10

Model	LSB 10.1	
Rated speed	m/s	1.00
	ft/min	197
Maximum striking speed	m/s	1.15
	ft/min	226
Impact mass range	kg	370-2000
	lbs	816 - 4409
Stroke	mm	70
	ins	2.76
Height	mm	234
	ins	9.21
Unit weight (including oil)	kg	4.14
	lbs	9.13
Oil volume ISO VG 68	litres	0.22
	US gals	0.06



For more information on our full product range contact:

SASSI LIFT SYSTEMS

5 Blackwell Drive, Springwood
Industrial Estate
Braintree, Essex CM7 2QJ

Tel: 01376 550666

Fax: 01376 341219



Certificate No. FM 26247



BS EN ISO 9001 Approved
BS EN ISO 14001 Approved