

Sassi Lift Systems Limited

Controller Information

Comfort Lift Door Drive

AT 25^A (M)
Date of Issue: 04/04

SIEMENS

Comfort lift Door Drive

AT 25_A (M)

Table of Contents

1	Table of contents.....	1
12.3	Control Device AT 23A (Overall Door Mass 12 and 400Kg).....	2
13.9	Appendix 9: Connection to internal 24V voltage.....	3
	Connection to external control voltage.....	4

Tel: 01376 550666

Fax: 01376 341219

12.3 Door Controller AT 25A (Cross door panel weight 120 and 400 kg)

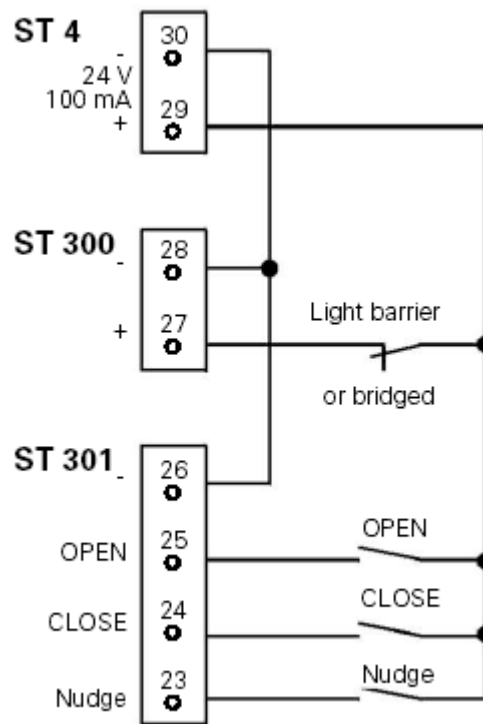
Controller supply	voltage: 22 V AC
Fuse	5 x 20 T2,0 A
System of protection	IP 20
Control inputs	+10 V to +28 V DC, 9 to 27 mA (potential-free, p-switching)
Door width	0.25 m to 4.00 m
Switching capacity output relay	230 V AC, 1,0 A (min. 10 mA)
max. perm. storing temperature	- 40 ... +85 °C
max. perm. operating temperature	- 20 ... +50 °C no direct insolation!
Humidity stress	no thawing
Emergency power input	24 V ± 15%, 1.6 A (e. g. lead-gel accumulator)
recommended accumulator capacity	2 Ah, protection by customer (!) with T 3.15 A. An opening and closing cycle requires an amount of energy up to 2.4 Wh (0,1Ah at 24V).
24 V output	max. output current 100 mA, short circuit-proof and overload-proof CAUTION: Do not feed external voltage!

12.4 Tests

EMV test	EN 55022 and EN 50082_2
TÜV (MOT)	type tested
CE	certified

13.9 Appendix 9: Wiring Diagram Control Inputs

Connection to internal 24V control voltage



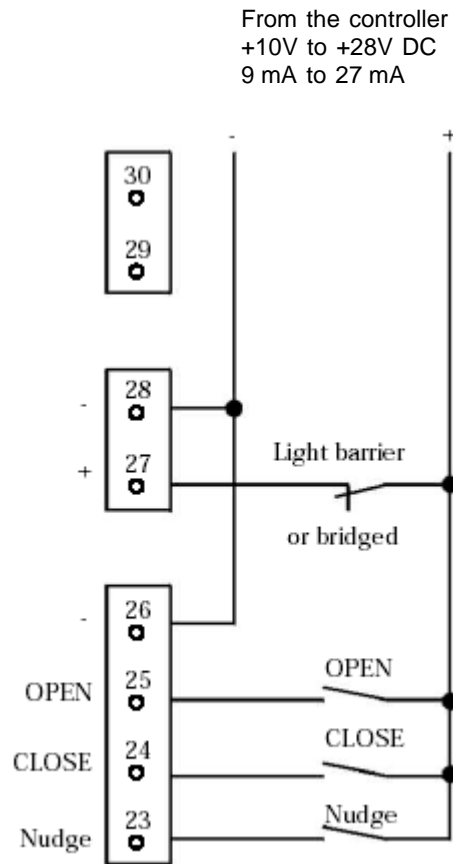
Nudge = CLOSE and Nudge commands simultaneously

A door close command should be present when the lift is running or parked at rest with doors closed (i.e. through auxiliary contacts on a main contactor in parallel to door close contacts) This will hold the doors closed or open at a reduced torque.

Please Note: With doors open, there must be a door open command present.

13.9 Appendix 9: Wiring Diagram Control Inputs

Connection to external control voltage



Nudge = CLOSE and Nudge commands simultaneously

A door close command should be present when the lift is running or parked at rest with doors closed (i.e. through auxiliary contacts on a main contactor in parallel to door close contacts)
This will hold the doors closed or open at a reduced torque.

Please Note: With doors open, there must be a door open command present.